



Bond for Life.

Flooring Product Guide

Bonding
Acoustics
Moisture Control
Sealing



SiegelBond PRO70

SiegelBond PRO70 is a high-performance, single part hybrid timber flooring adhesive. It is specifically formulated for high grab and superior flooring performance and service life.

It is recommended for bonding solid timber and engineered flooring systems to both timber and concrete subfloors.

Available in 15kg pail and 600ml sausage



Download Full TDS | MSDS

- Key Feature:** High Grab | Easy Clean
- Acoustic Rated:** ✓ 47-52 Lntw*
- Moisture Barrier:** ✓
- Subfloor Heating:** ✓
- Open Time (Mins):** ■■■■ ⌚ 40-50 mins.
- Subfloor:** Cement & Timber
- Litres / Pail:** 9.68L



SiegelBond PRO95

SiegelBond PRO95 is a high-performance, single part hybrid timber flooring adhesive. It is specifically formulated for easy of trowelling, rapid curing and superior flooring performance and service life.

It is recommended for bonding solid timber and engineered flooring systems to both timber and concrete subfloors.

Available in 15kg pail and 600ml sausage



Download Full TDS | MSDS

- Key Feature:** Easy Trowel | Rapid Cure | Easy Clean.
- Acoustic Rated:** ✓ 47-52 Lntw*
- Moisture Barrier:** ✓
- Subfloor Heating:** ✓
- Open Time:** ■■■■ ⌚ 30-40 mins.
- Subfloor:** Cement & Timber
- Litres / Pail:** 11.9L



SiegelBond PRO98

SiegelBond PRO98 is a high-performance, single part timber hybrid flooring adhesive. It is specifically formulated for easy of trowelling, long open time and superior flooring performance and service life.

It is recommended for bonding solid timber, parquetry and engineered flooring systems to both timber and concrete subfloors.

Available in 15kg pail



Download Full TDS | MSDS

- Key Feature:** Easy Trowel | Long Open Time | Easy Clean
- Acoustic Rated:** ✓ 47-52 Lntw*
- Moisture Barrier:** ✓
- Subfloor Heating:** ✓
- Open Time:** ■■■■■■ ⌚ 60-80 mins.
- Subfloor:** Cement & Timber
- Litres / Pail:** 11.11L



*Acoustic rating is dependent on subfloor thickness & type. Project specific testing may be required.

SiegelProof P12

SiegelProof P12 is a moisture-curing polyurethane green slab primer and surface membrane which is single component, non-flammable and solvent free.

This sealer is engineered as a moisture vapor barrier for cement-based substrates including green slabs that are not subject to rising damp and have a residual humidity content up to 95% RH.

Available in 10kg drum



Download Full
TDS | MSDS

Key Feature: Single Part Rapid Cure
System: Water Based Polyurethane
Moisture Level: ■ ■ ■
<6% Moisture Reading / 95% R. H.
Coverage: 50m² (25m² / 2 Coats)
Solvent Free: Yes



SiegelProof PRO2K

SiegelProof PRO 2K is a high-performance two-component epoxy sealer and moisture barrier.

This formula provides high adhesion and long-term film strength to protect against rising damp, abrasion and both positive and negative water pressure.

Available in 10L ea. pail (Combined 20L)



Download Full
TDS | MSDS

Key Feature: Two Part High Protection
System: Water Based Epoxy
Moisture Level: ■ ■ ■ ■ ■
<30% Moisture Reading
Coverage: 100m² (50m² / 2 Coats)
Solvent Free: Yes



SiegelBond T35

SiegelBond T35 is a high-performance dispersion adhesive with a short waiting time and extended working time.

It is suitable for both wet-set adhesive applications and the double-drop method. Designed for use on floors and walls, exclusively for interior use suitable for both vinyl sheet & LVT applications.

Available in 14kg pail



Download Full
TDS | MSDS

Key Feature: Universal Vinyl Sheet & LVT
Polymer Type: Acrylic
Green Grab: High
Open Time: 10-45 mins
Working Time: 15 - 120 mins



SiegelBond PS50

SiegelBond PS50 is a premium-grade pressure-sensitive adhesive designed for high performance in various flooring applications including carpet tiles, LVT and other resilient flooring applications.

It ensures a strong initial tack and lasting bond for a range of floor coverings including underlay, carpet tiles & LVT bonding.

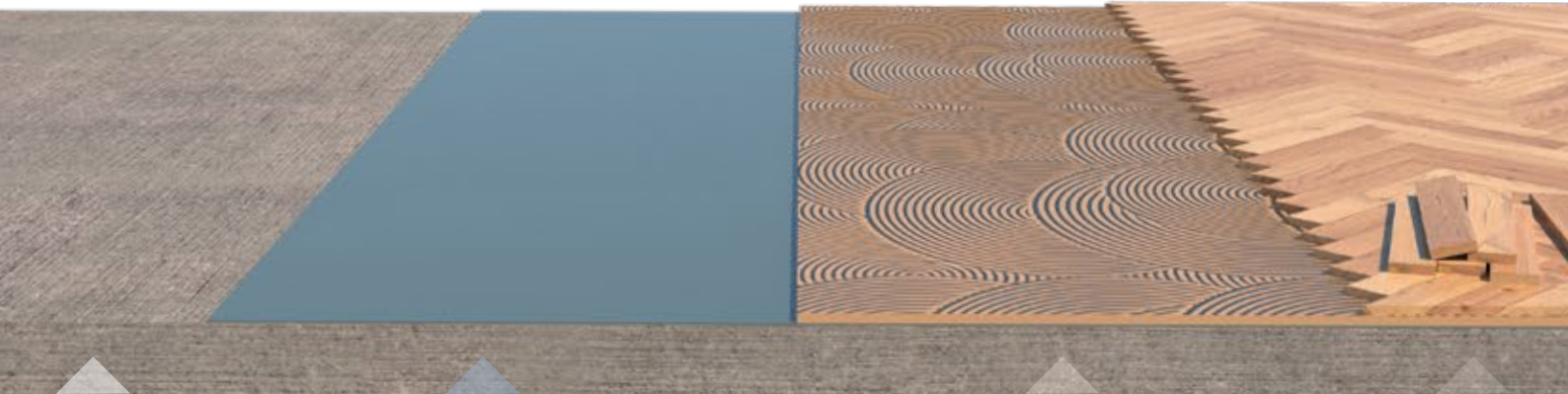
Available in 15kg pail



Download Full
TDS | MSDS

Key Feature: Super Residual Tack
Polymer Type: Pressure Sensitive Acrylic
Green Grab: High
Open Time: 15mins - Permanent
Working Time: 8 hours - Pressure Sensitive





Subfloor	SiegelProof PRO Subfloor Moisture Barrier	SiegelBond PRO Timber Flooring Adhesive	Timber
----------	---	---	--------

Timber Subfloors




Apply SiegelBond PRO Timber Flooring Adhesive with SiegelBond Trowel 3. No moisture barrier required.

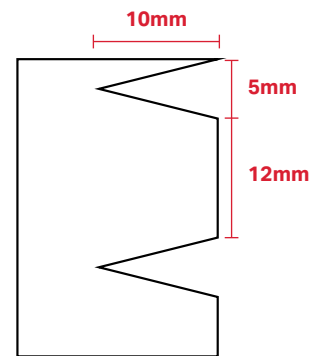
Concrete Subfloors

Check moisture levels in subfloor if below 5% moisture or 95% R.H. apply SiegelProof P12 moisture vapour barrier. If above 5% or 95% R.H. apply SiegelProof PRO2K Moisture Barrier. Apply SiegelBond PRO Timber Flooring Adhesive with SiegelBond Trowel 3.



SiegelBond Trowel 3

- 
Trowel Type
 5mm x 10mm
 V Notch | 12 mm Spacing
- 
Coverage per Kg.
 0.9 - 1m² per Kg.
- 
Coverage per Pail
 14-15m² per 15kg Pail



Application

The SiegelBond PRO Timber Flooring Adhesive range is suitable for bonding all solid timber and engineered timber flooring systems to concrete, plywood, cured leveling compound, epoxy membranes, particle board and radiant heated subfloors. Also suitable for bonding rubber tiles and acoustic matting.





Subfloor

SiegelBond PRO
Timber Flooring Adhesive

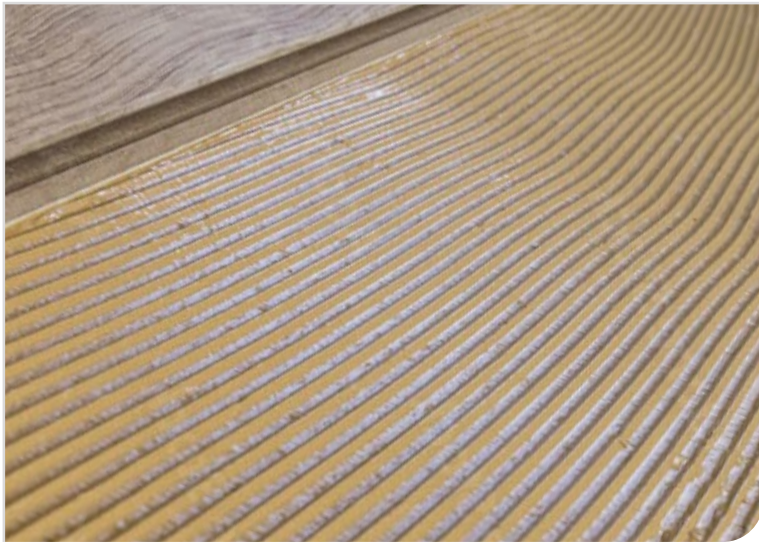
Timber

Timber Subfloors

Apply SiegelBond PRO Timber Flooring Adhesive with SiegelBond Trowel 4 for optimal acoustic performance. No moisture barrier required.

Concrete Subfloors

Moisture levels in subfloor must be below 5% moisture or 95% R.H. for 4 in 1 application. Apply SiegelBond PRO Timber Flooring Adhesive with SiegelBond Trowel 4 ensuring 100% subfloor adhesive coverage.



SiegelBond Trowel 4



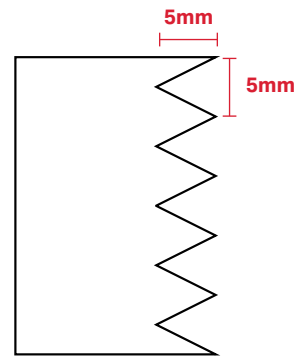
Trowel Type
5mm x 5mm
Continuous V Notch



Coverage per Kg.
0.6 - 0.7m² per Kg.



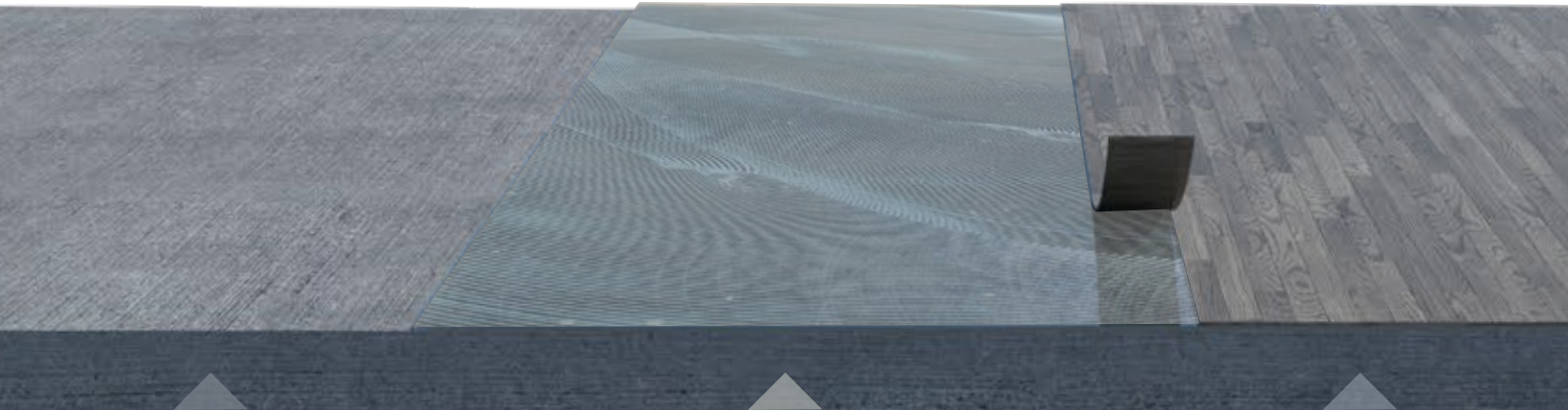
Coverage per Pail
9-10m² per 15kg Pail



Application

The SiegelBond PRO Timber Flooring Adhesive range offers a comprehensive 4-in-1 solution. This range acts as a moisture barrier, adhesive, acoustic control layer, and timber stabiliser, ensuring secure bonding, noise reduction, and minimal movement in timber flooring installations.





Subfloor

SiegelBond T35
 Universal Acrylic Adhesive

Vinyl, PVC, Rubber

PVC / smooth

Trowel | V Notch 1.6mm Coverage | 180 - 200 g/m²

Rubber / textured

Trowel | V Notch 2.4mm Coverage | 200 - 280 g/m²

Underlay

Trowel | V Notch 3.2mm Coverage | 250 - 320 g/m²

Linoleum / course

Trowel | V Notch 3.2mm Coverage | 250 - 320 g/m²



Product Advantages

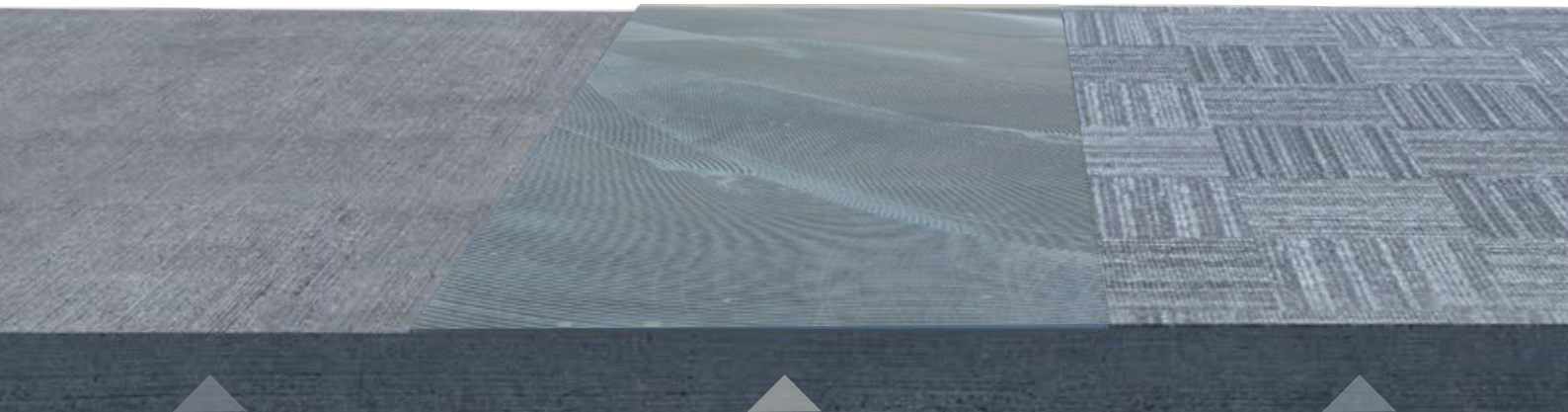


- Rheologically optimized to be exceptionally smooth and easy to trowel.
- High initial green grab for most types of resilient flooring.
- Easy to clean up in the wet state to improve workability.
- Suitable for use over underfloor heating installations.
- Environmentally stable.
- Will withstand everyday wet cleaning practices.
- Strong permanent bond to varying subfloor types.

Application

SiegelBond T35 is suitable for the installation of dimensionally stable PVC flooring, sheet vinyl LVT tiles, LVP, linoleum, rubber matting and sanded back sheet rubber flooring up to 4mm in thickness. It is also ideal for bonding textile floor coverings on absorbent, levelled subfloors. It is suitable for dense and non-absorbent substrates with the double drop method.





Subfloor

SiegelBond **PS50**
Pressure Sensitive Acrylic

Carpet Tile

PVC / smooth

Trowel | V Notch 1.6mm Coverage | 5m² / L

PVC / textured

Long Nap Roller 10mm+ Coverage | 12-14m² / L

Underlay

Trowel | V Notch 1.6mm Coverage | 5m² / L

Rubber

Long Nap Roller 10mm+ Coverage | 12-14m² / L



Product Advantages



- High initial tack strength for faster laying methods.
- Long working time and excellent restick properties.
- Possesses superior shear strength.
- Suitable for use over underfloor heating installations.
- Non-flammable, low VOC and Greenstar complaint.
- Resistant to high humidity and P.H. environments.

Application

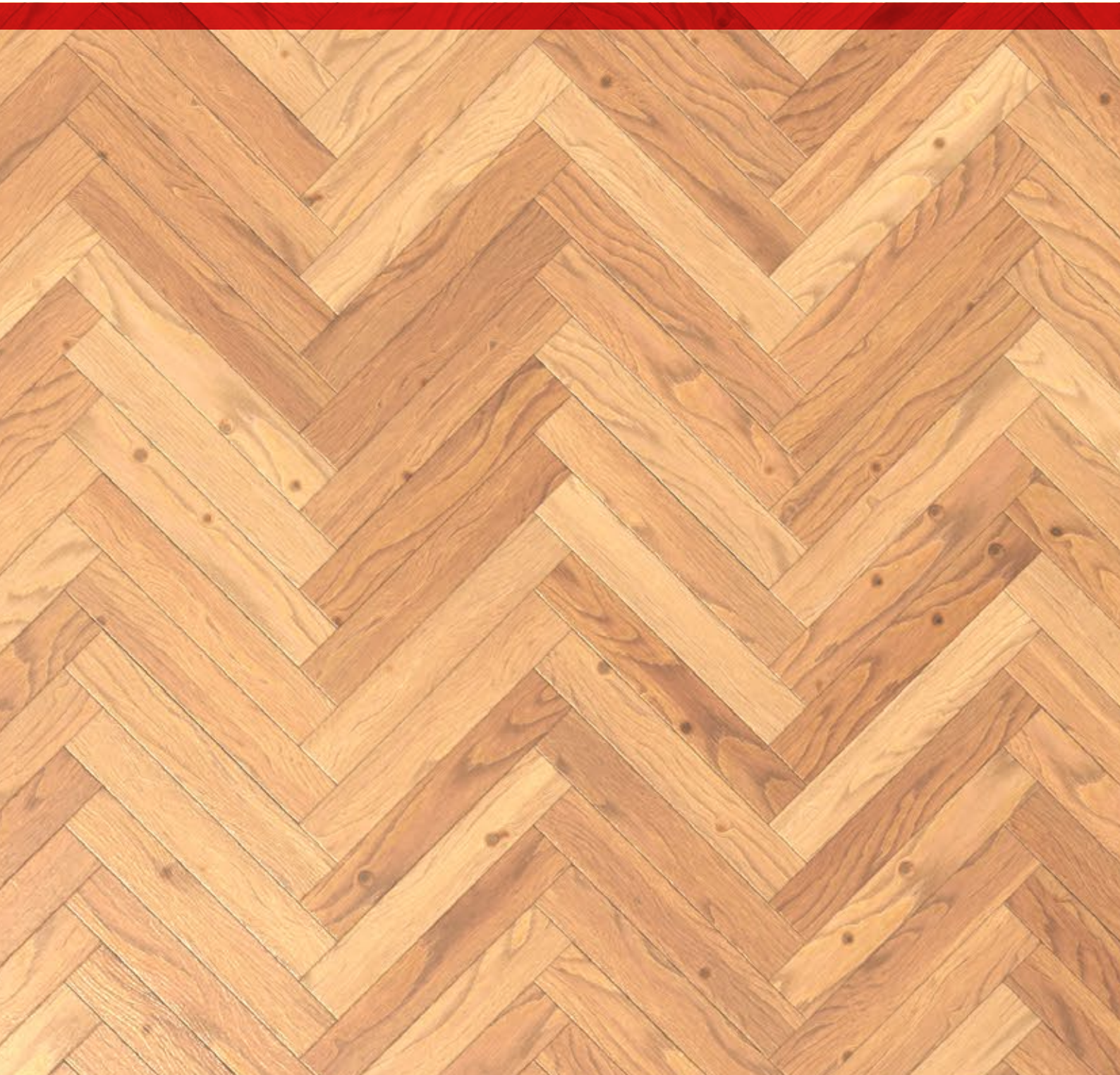
SiegelBond PS50 is suitable for installation of vinyl and carpet tiles, slab underlays, in double bond carpet installation. Not suitable for installing carpet to underlay. It is suitable for use on levelling compounds, concrete, exterior-grade plywood and other common subfloors.





SIEGEL

Bond for Life.



© Siegel 2025
Flooring Product Guide
Edition 1

AU 02 4868 1771
NZ 025636673
E sales@siegeladhesives.com
W siegeladhesives.com

Locations

Sydney	Melbourne	Brisbane
Adelaide	Perth	Devonport
Auckland	Mildura	Riverina